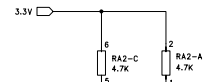
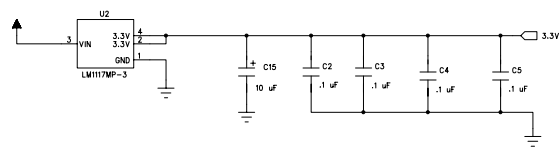
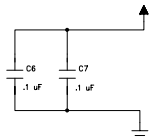
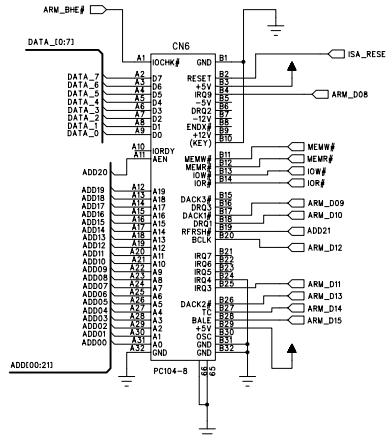
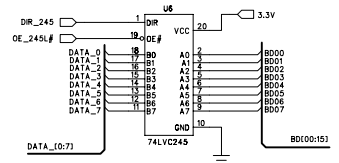


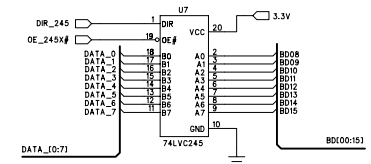
PC/104 Connector



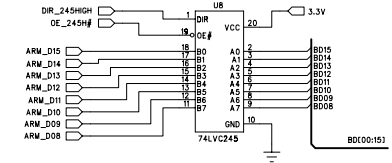
Low Byte Data Buffer



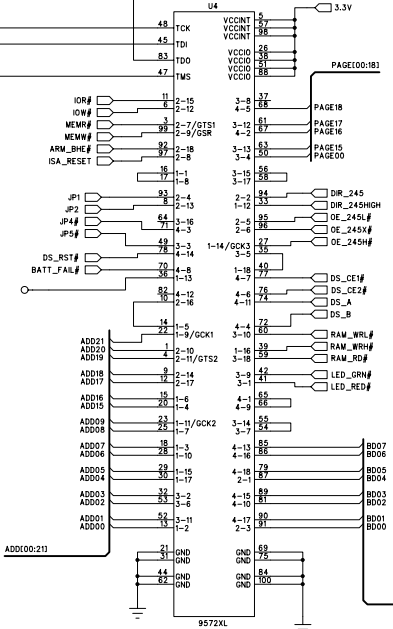
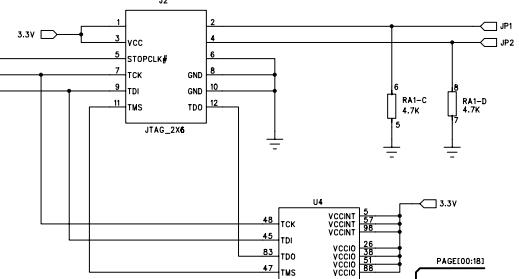
Cross-over Data Buffer



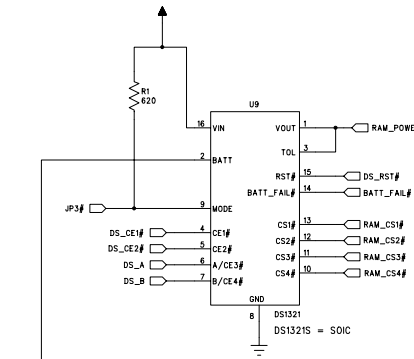
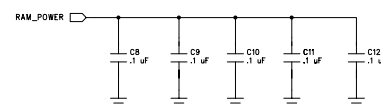
High Byte Data Buffer



JTAG

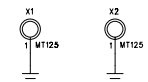
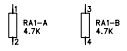
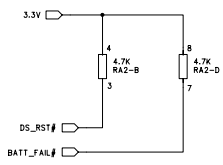
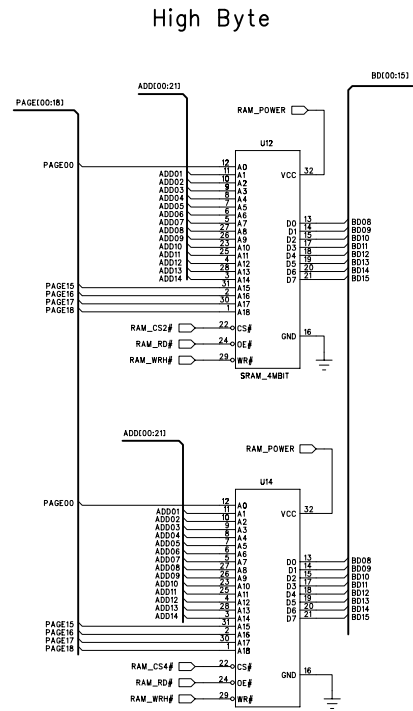
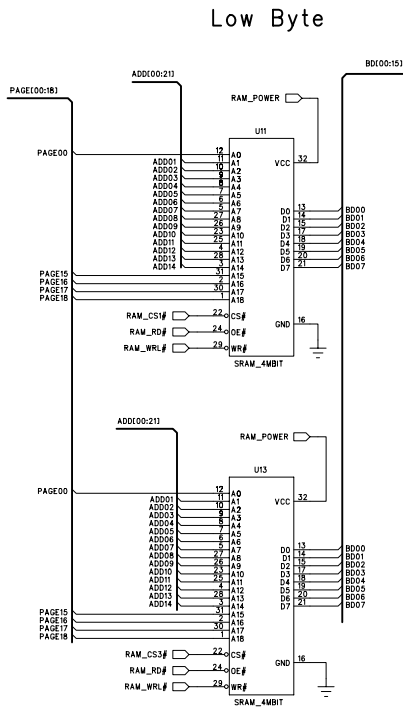
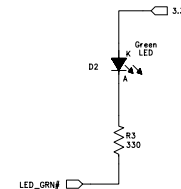
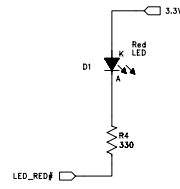
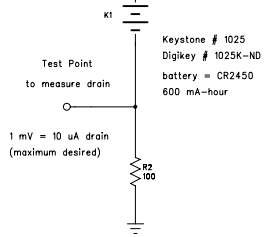


Technologic Systems	Date	Sept. 1, 2005
Title:	TS-NVRAM2 PC/104, PLD	
Rev:	1.0	Designer RLM Sheet 1 of 2



TOL tied to Vout =  
Reset trip is 4.25 to 4.50 V  
This is also when the battery  
is switched in or out

Mode = GND at power up --> 8-bit mode  
Mode = Vout at power up --> 16-bit mode



Technologic Systems	Date	Sept. 1, 2005
Title: TS-NVRAM2 RAM, Battery, DS1321		
Rev: 1.0	Designer	RLM
		Sheet 2 of 2