

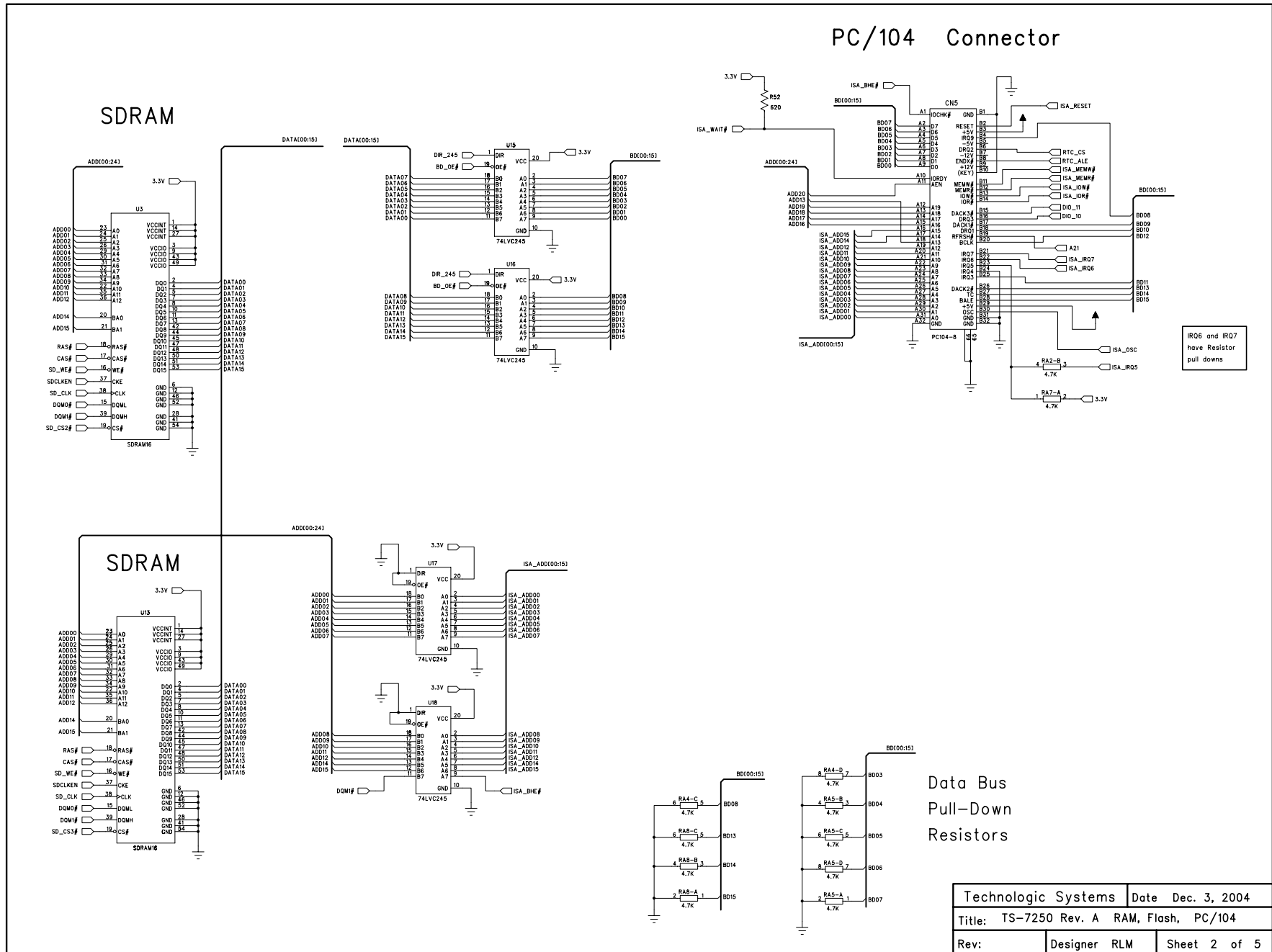
Jumpers:
 JP1 = Boot Serial
 JP2 = Console Enable
 JP3 = Write Enable Flash
 JP4 = Console is COM2
 JP5 = TS_Test
 JP6 = Reserved

Technologic Systems		Date Dec. 3, 2004
Title: TS-7250 Rev. A EP9302 CPU		
Rev:	Designer RLM	Sheet 1 of 5

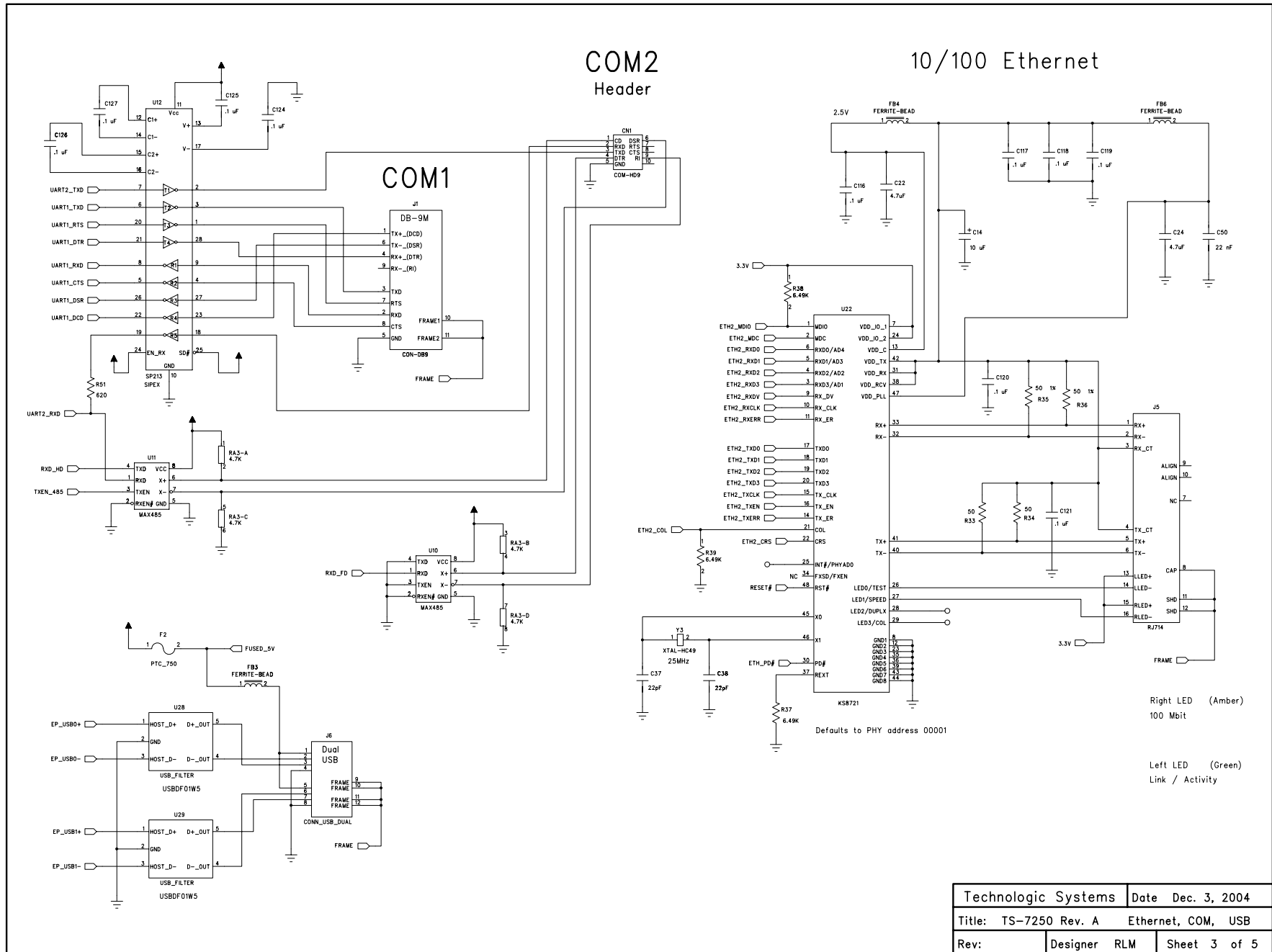
CS7 and CS6
 Select 16-bit Flash
 when CS7# = low
 and CS6# = high

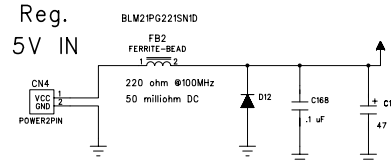
EE_CLK low @ Reset
 = Boot External

Pin# 50 and 85
 also GND



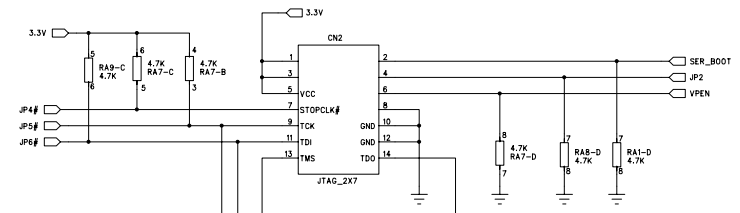
Technologic Systems	Date Dec. 3, 2004
Title: TS-7250 Rev. A RAM, Flash, PC/104	
Rev:	Designer RLM Sheet 2 of 5



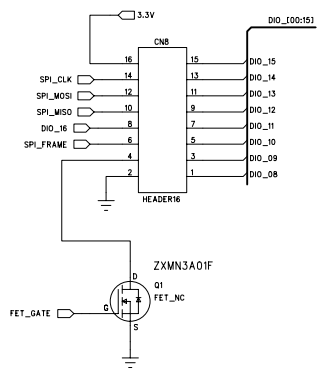


Jumpers:
 JP1 = Boot Serial
 JP2 = Console Enable
 JP3 = Write Enable Flash
 JP4 = Stop @ Redboot
 JP5 = TS_Test
 JP6 = Reserved

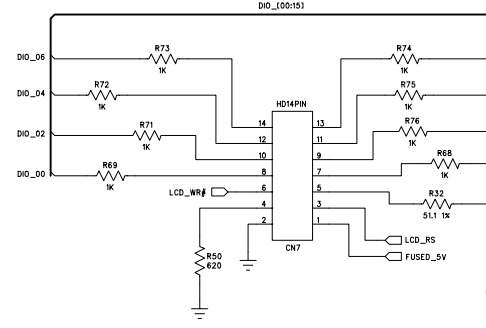
JTAG



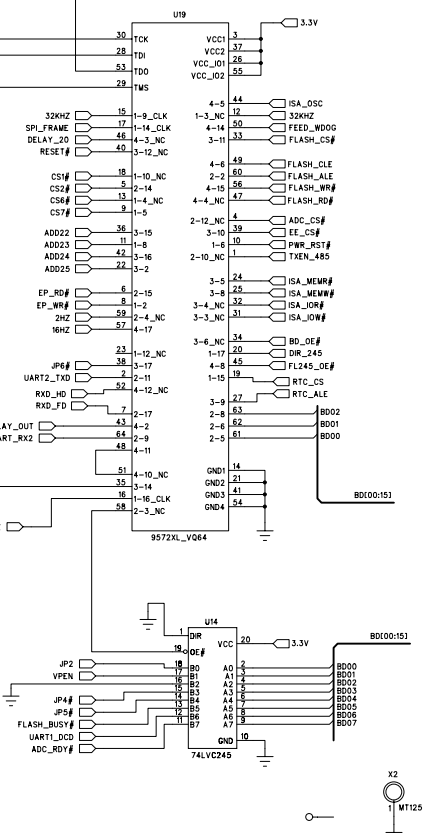
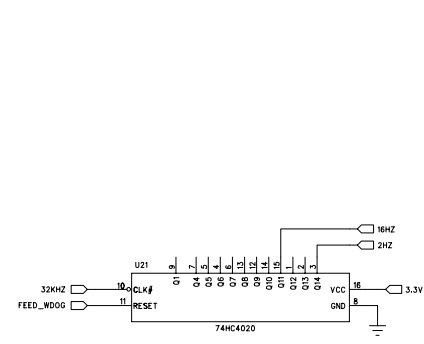
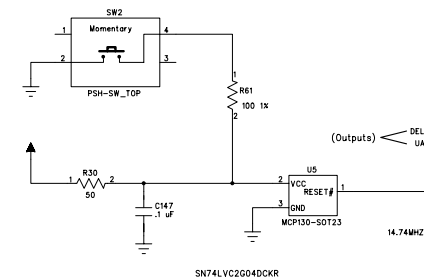
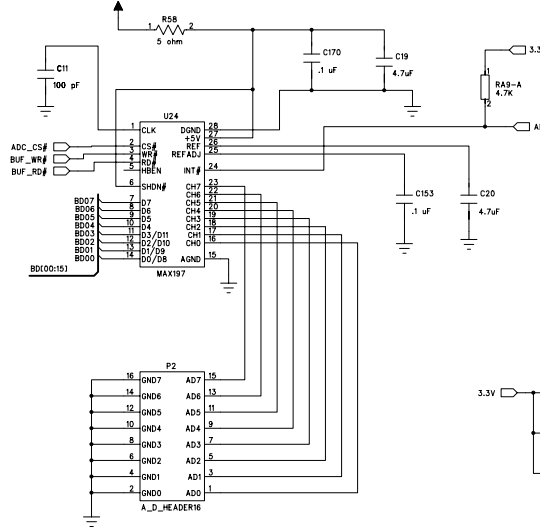
DIO Port



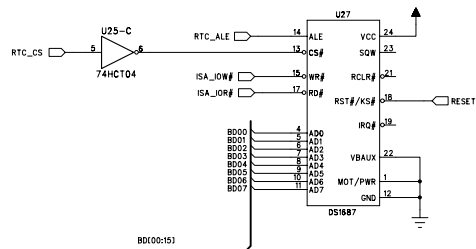
LCD Port



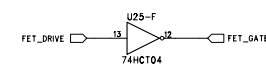
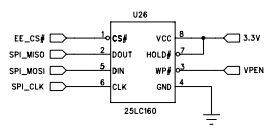
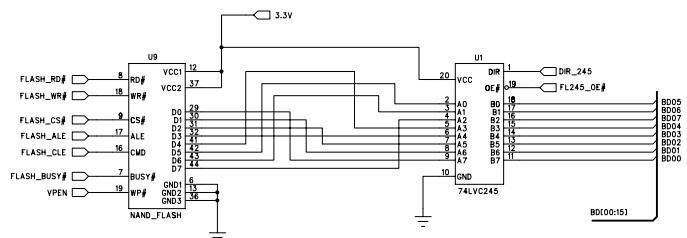
12-bit A/D Converter



Real Time Clock



NAND Flash



5 Channel 12-bit A/D

