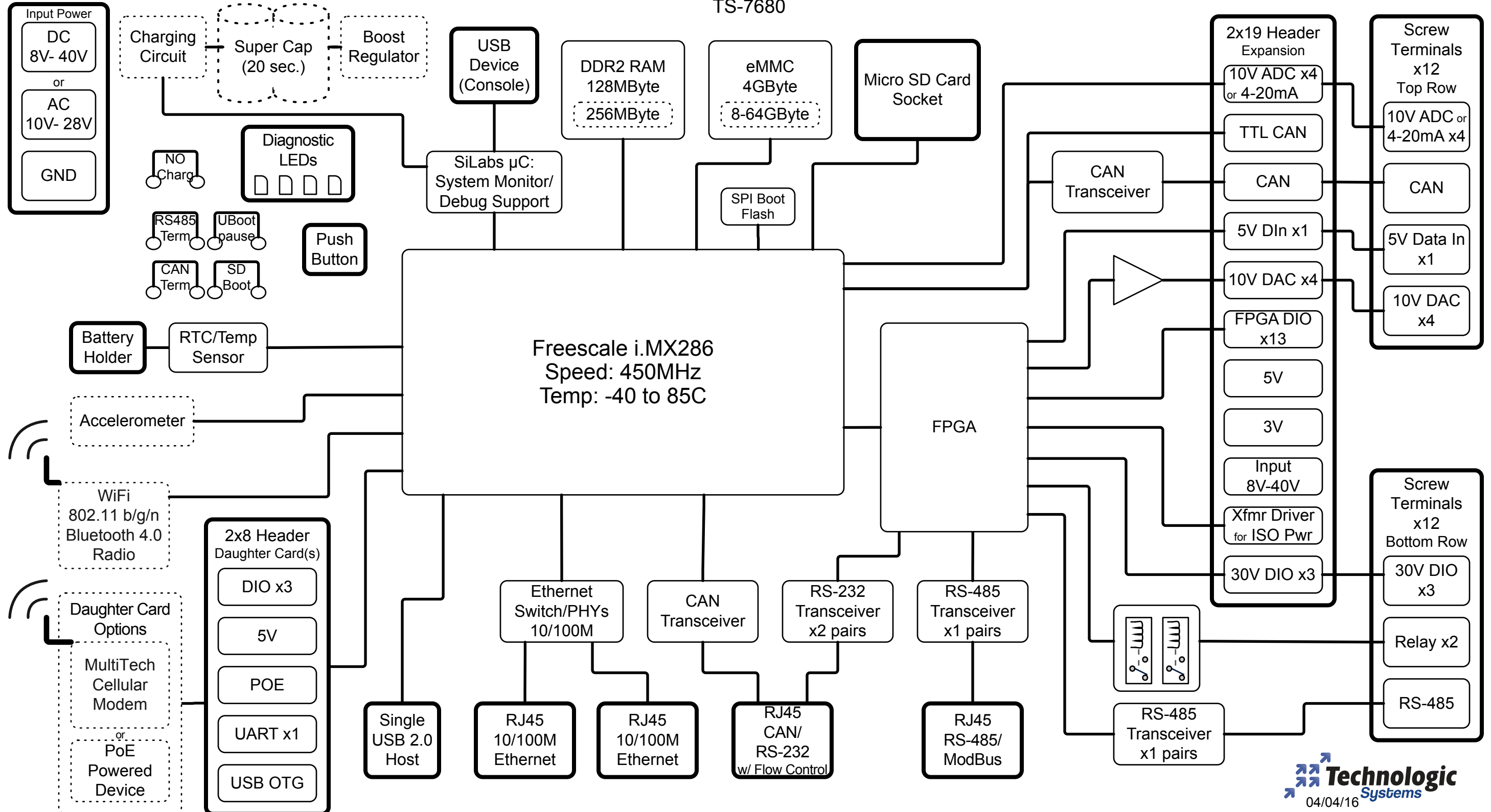


# System Level Block Diagram TS-7680



Connector =  Optional Feature =