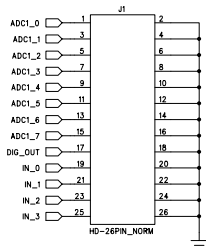
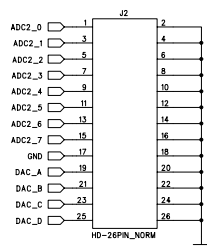


2x13 Header



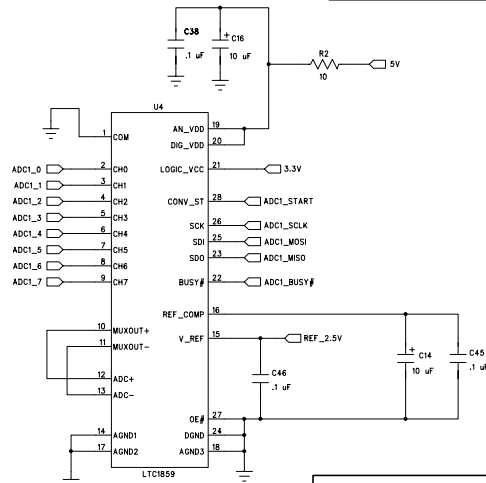
AD1

2x13 Header



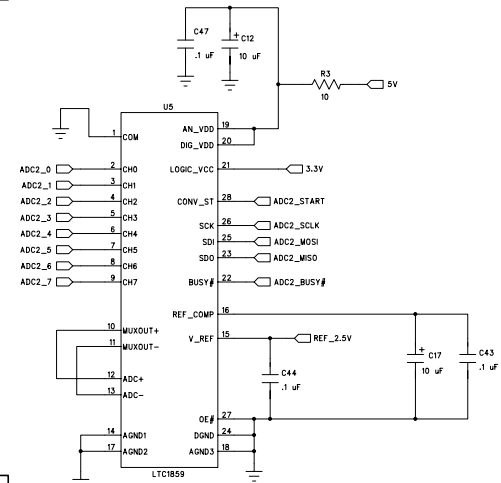
AD2

ADC 1



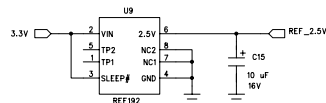
16 channels of
16-bit A/D Converters

ADC 2



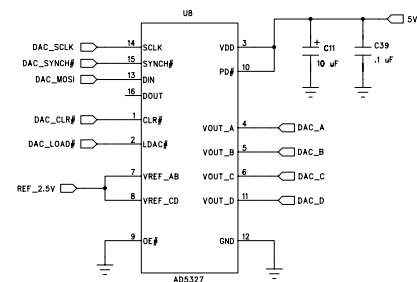
A/D Inputs have software selectable ranges
0-5V, 0-10V, +/-5V, +/-10V
100K samples per second
>30K ohm input impedance
single-ended or differential modes

Precision 2.5V

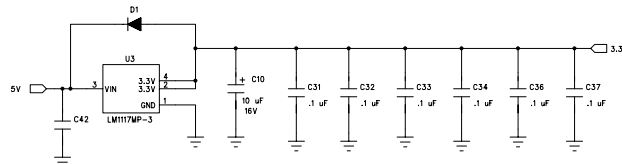


REF192ES = .08% 5ppm/degree \$2.98 @100
LM4140C = 0.1% 10ppm/degree \$2.07 @100
compatible pin-out (SOIC)

4 channels of 12-bit DAC

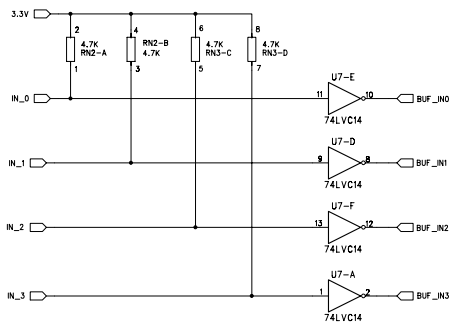


3.3V Reg.

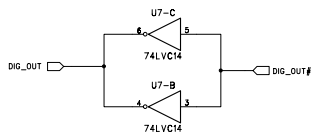


Technologic Systems	Date Feb. 5, 2008
Title: TS-ADC16 High Performance 16-bit ADC	
Rev:	Designer
	Sheet 1 of 2

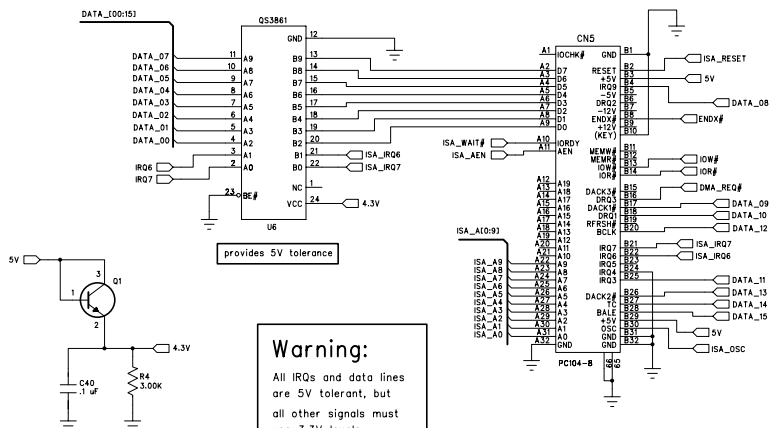
0-5V Input Levels



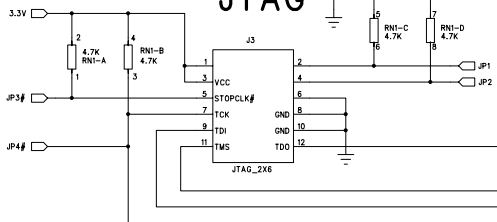
0-3.3V Output Source/Sink 50 mA



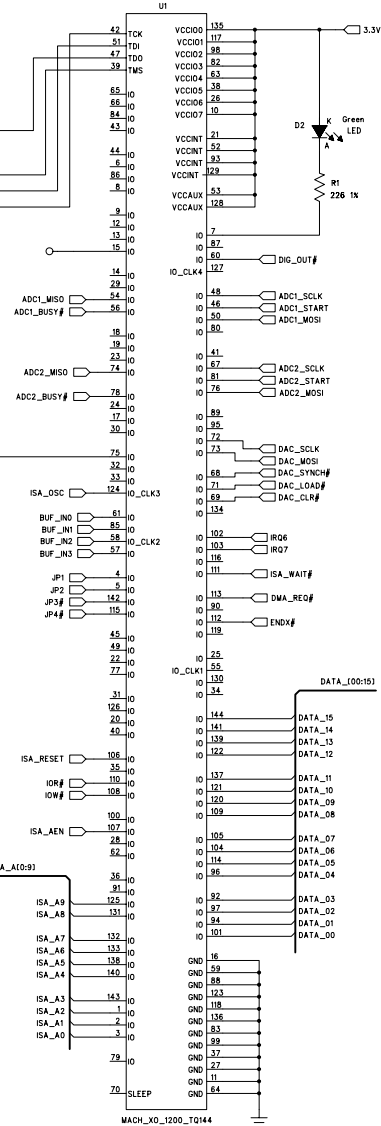
PC/104 64-pin Connector



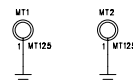
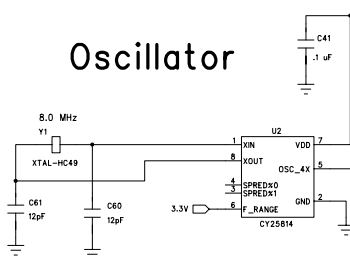
JTAG



CPLD



Oscillator



Technologic Systems	Date Feb. 5, 2008
Title: TS-ADC16 High Performance 16-bit ADC	
Rev:	Designer
	Sheet 2 of 2